

actual size

Oscillator · HO3225 · 3.3 V

SMD Oscillator with Stop Function · 3.2 x 2.5 mm

- reflow soldering temperature: 260 °C max.
- compact & flat ceramic/metal package



General Data

type	HO3225 3.3V	
frequency range	0.75 ~ 80.0 MHz (15 pF max.)	
	0.75 ~ 50.0 MHz (30 pF max.)	
higher frequencies	80.0 ~ 135.0 MHz (15 pF max.)*	
frequency stability over all**	± 20 ppm ~ ± 100 ppm (table 1)	
current consumption	see table 2	
supply voltage V_{DC}	3.3 V ± 5%	
temperature	operating	-10 °C ~ +70 °C / -40 °C ~ +85 °C / -40 °C ~ +105 °C
	storage	-55 °C ~ +125 °C
output	rise & fall time	see table 3
	load max.	15 pF / 30 pF (≤ +85 °C and ≤ 50.0 MHz)
	current max.	4 mA / 5 mA
	low level max.	0.4 V
	high level min.	V _{DC} - 0.4 V
output enable time max.	10 ms	
output disable time max.	50 μs	
start-up time max.	10 ms	
standby function	stop	
standby current max.	5 μA	
phase jitter 12 kHz ~ 20.0 MHz	< 1.0 ps RMS	
symmetry at 0.5 x V_{DC}	45% ~ 55% (40% ~ 60% max.)	

* ask if available

Table 1: Frequency Stability Code

stability code / temp. code**	A	B	G	C	D
	± 100 ppm	± 50 ppm	± 30 ppm	± 25 ppm	± 20 ppm
-20 °C ~ +70 °C		○	○	○	△
-40 °C ~ +85 °C T1	○	○	○		
-40 °C ~ +105 °C T2	○	○			

○ available △ excludes aging

** includes stability at 25 °C, operating temp. range, supply voltage change, shock and vibration, aging 1st year.

Table 2: Current Consumption max.

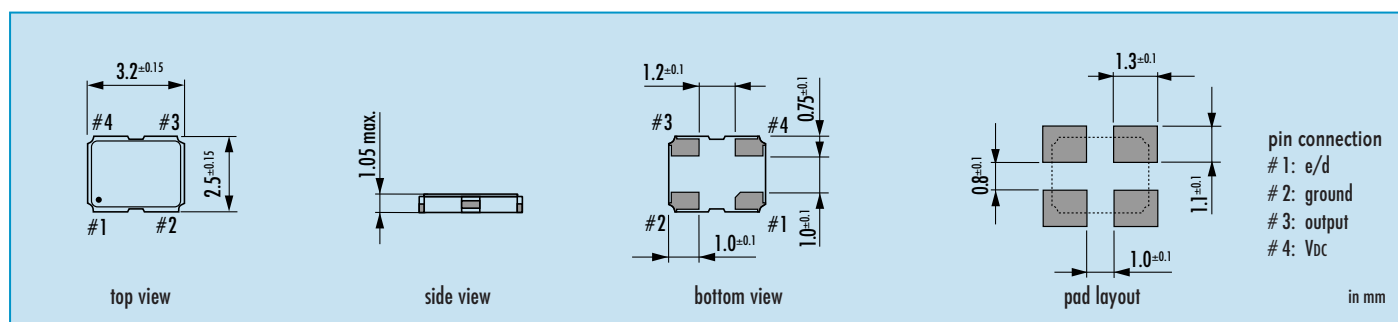
Current at 15 pF load		Current at 30 pF load	
0.75 ~ 19.9 MHz	4 mA	0.75 ~ 19.9 MHz	6 mA
20.00 ~ 39.9 MHz	7 mA	20.00 ~ 39.9 MHz	13 mA
40.00 ~ 59.9 MHz	19 mA	40.00 ~ 50.0 MHz	24 mA
60.00 ~ 79.9 MHz	24 mA		
80.00 ~ 135.0 MHz*	45 mA		

Table 3: Rise & Fall Time max.

at 15 pF	at 30 pF
5 ns: 0.75 ~ 49.99 MHz	8 ns: 0.75 ~ 49.99 MHz
4 ns: 50.00 ~ 79.99 MHz	
3 ns: 80.00 ~ 135.00 MHz*	

note: rise time: 0.1 V_{DC} ~ 0.9 V_{DC} / fall time: 0.9 V_{DC} ~ 0.1 V_{DC}
specific data on request

Dimensions



Taping Specification

